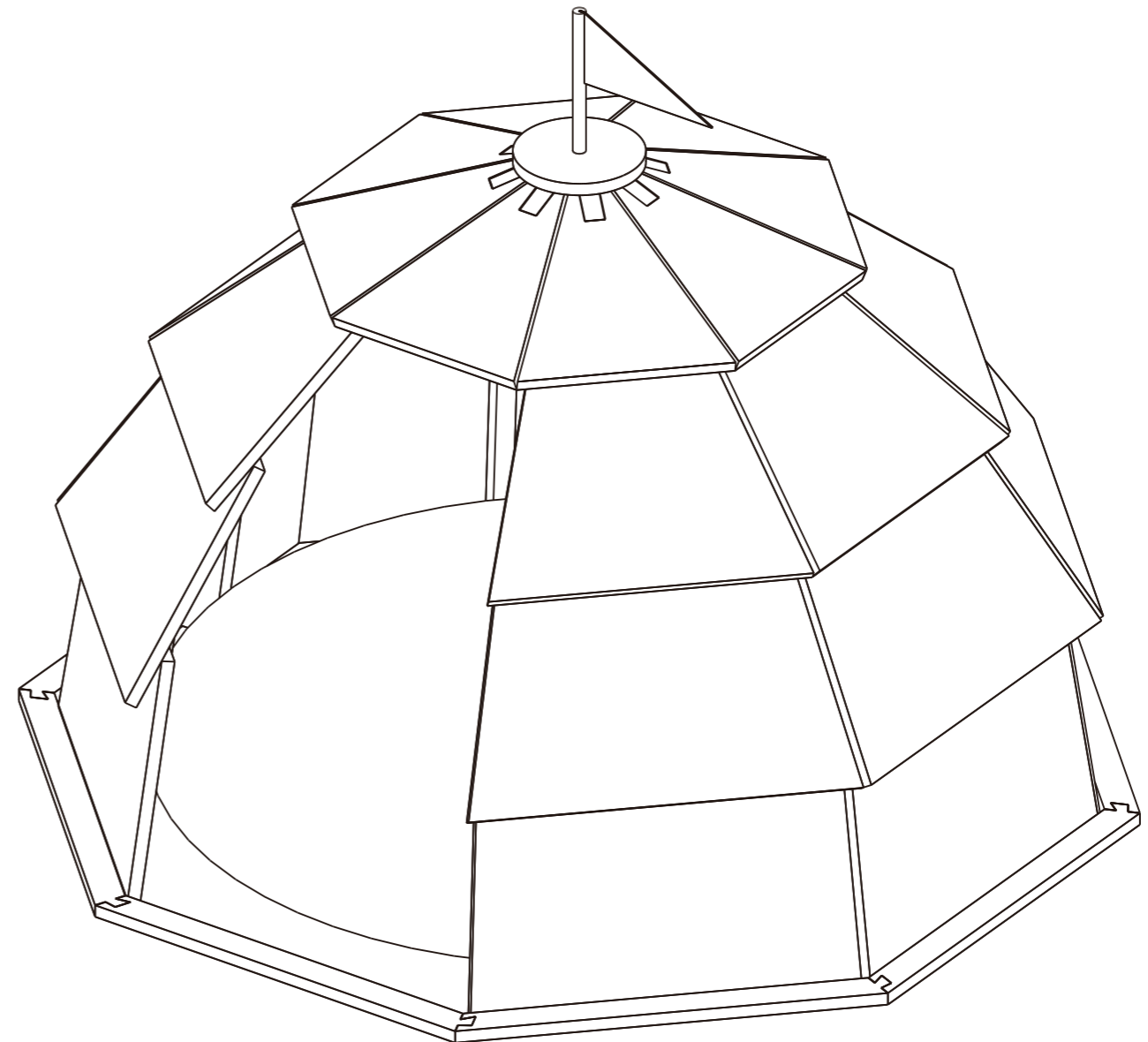


A ARCHITECTURE FOR DOGS

DOG PAVILLION

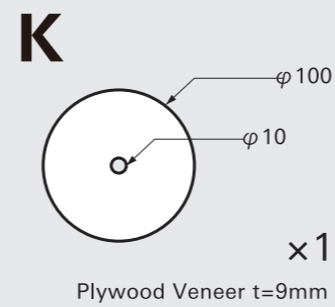
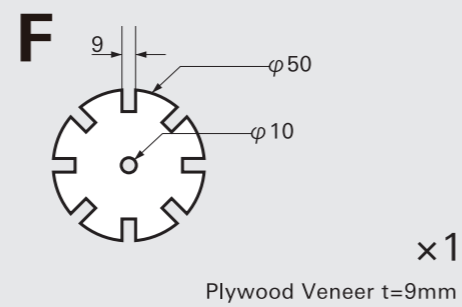
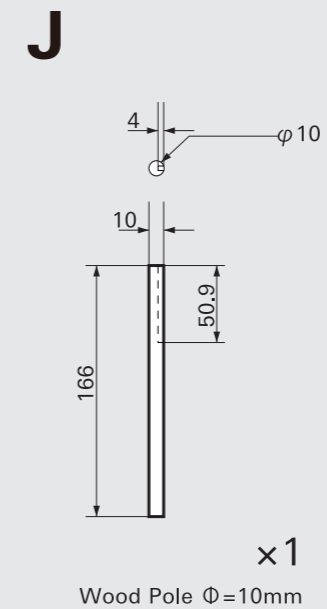
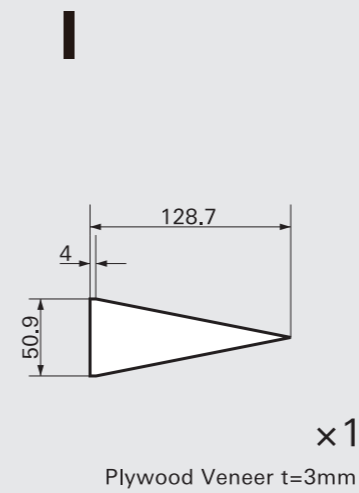
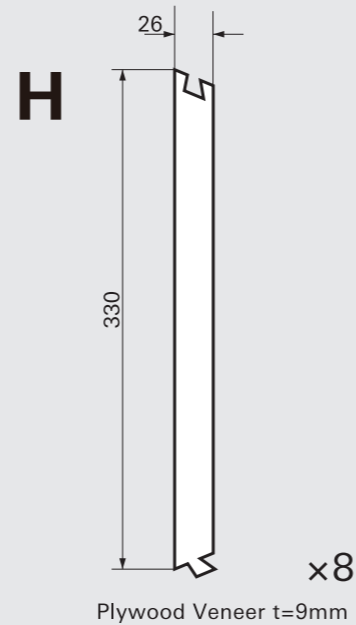
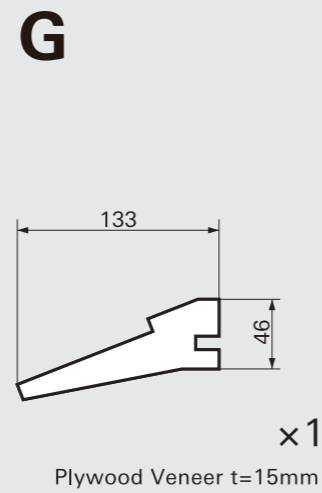
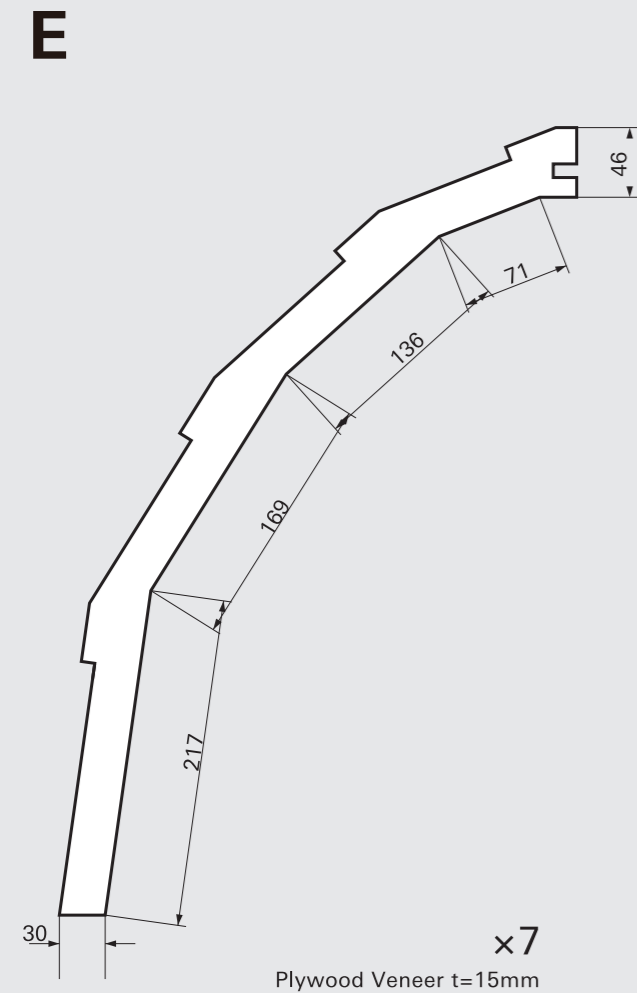
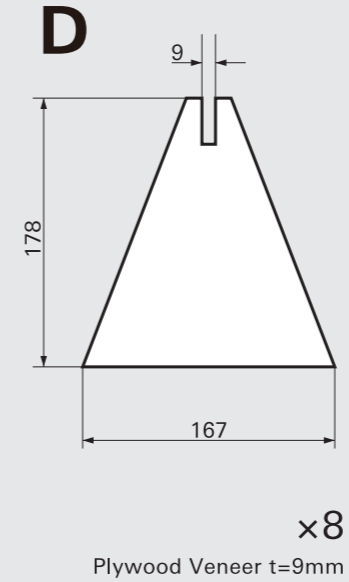
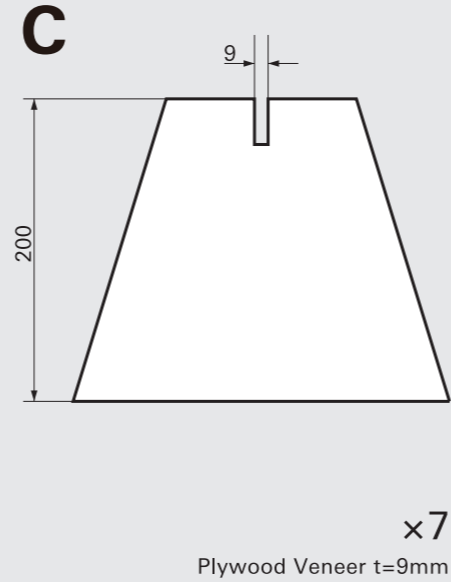
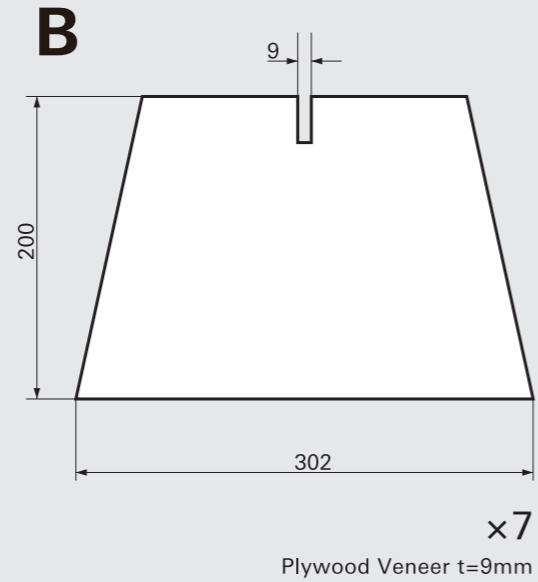
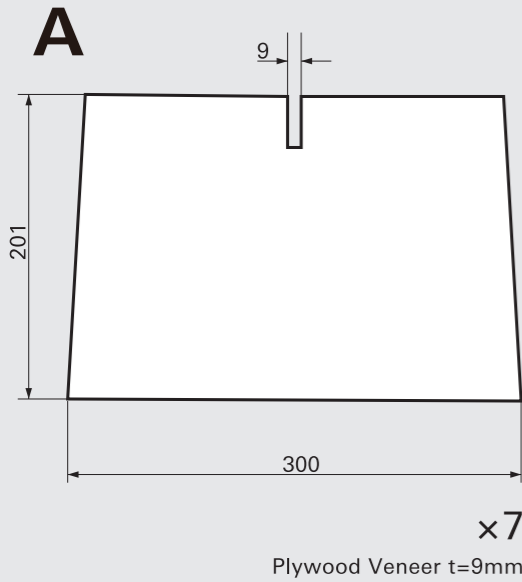
designer **GIULIO IACCHETTI**
architecture for **ITALIAN GREYHOUND**

update 2024 / 12 / 02



Component Pieces :

scale = 1:5



Materials:

Plywood Veneer
/ w2400 x h1200 mm • t=9mm 1 sheet
Plywood Veneer
/ w2400xh1200mm • t=15mm 0.5 sheets
Wood Pole Φ=10mm
Plywood Veneer t=3mm
Varnish or Clear Coat
Glue

Tools:

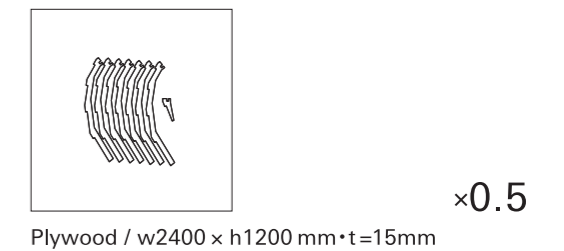
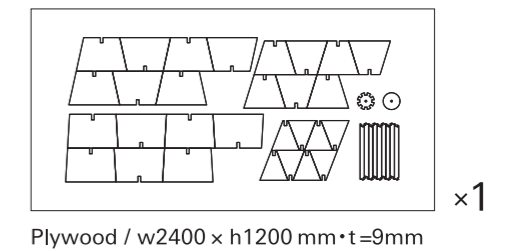
Drill
Panel Saw
Jigsaw
Driver
Glue

Size:

w797xd797xh651 mm

Weight:

Approx. 8.6kg



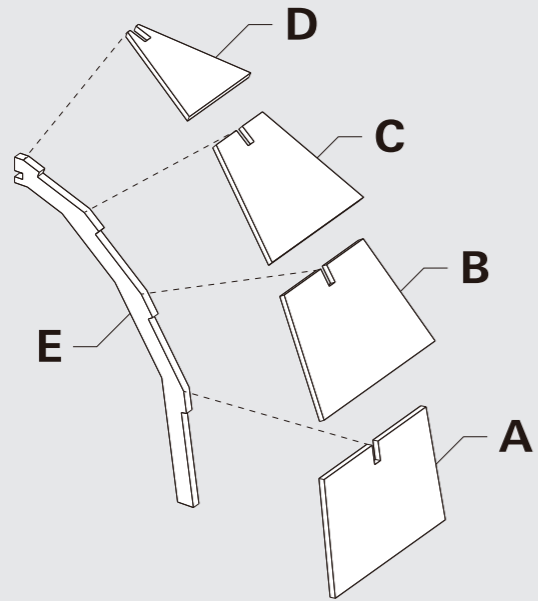
This is a construction project and is not advisable for children under the age of 13, unless under the supervision of adults. Please use caution when using cutting tools, and wear eye and hand protection at all times. All measurements are in metric units and our list of wood materials, only suggestions.

Architecture for Dogs is not responsible for any injuries incurred from the building process or derived from the structure itself, nor does it take responsibility for faulty materials or unsatisfactory results.

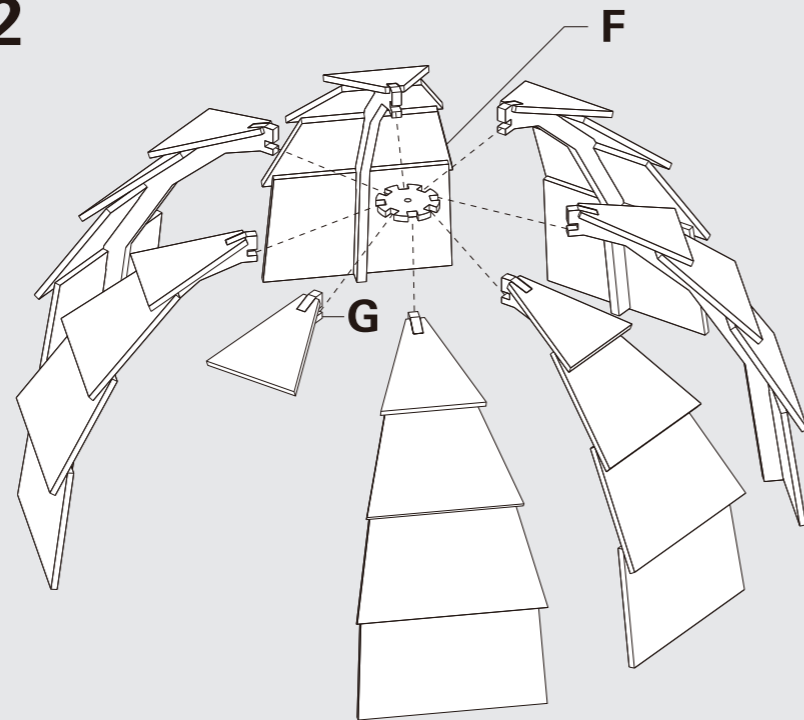
(c) Architecture for Dogs, 2024. All Rights reserved.
The download of this blueprint in no way transfers any copyright or other ownership interest in them to the buyer except for a limited license to use it to construct one piece at a time.

Assembly Instructions:

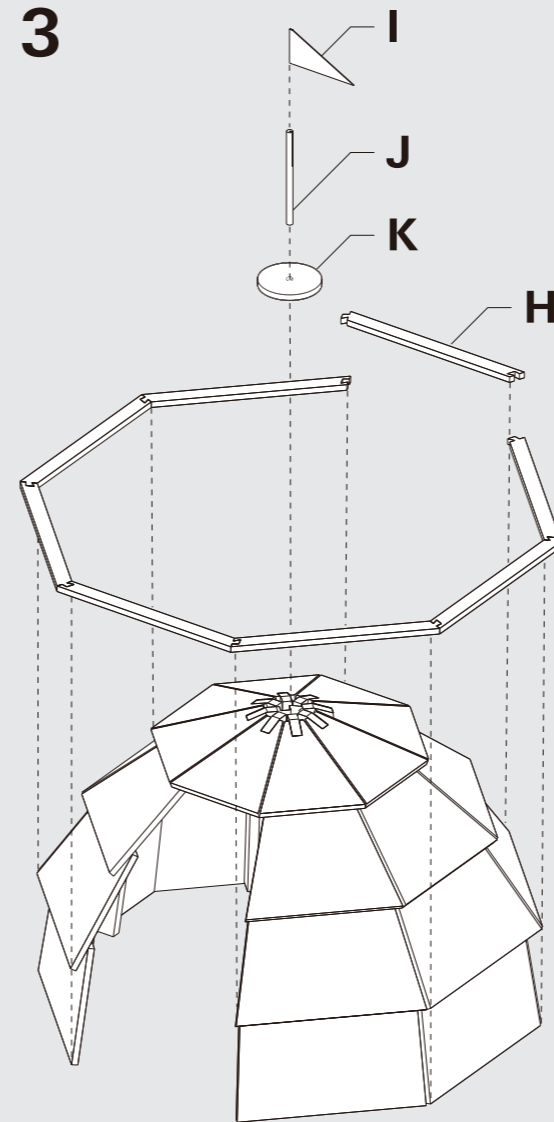
1



2



3



4

